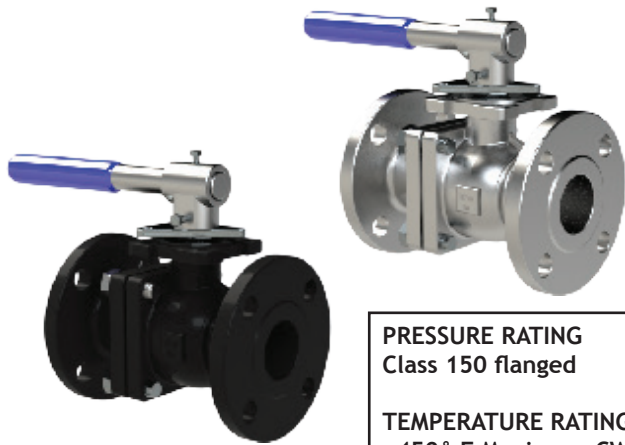




FIRE SAFE FLANGED BALL VALVES



PRESSURE RATING
Class 150 flanged

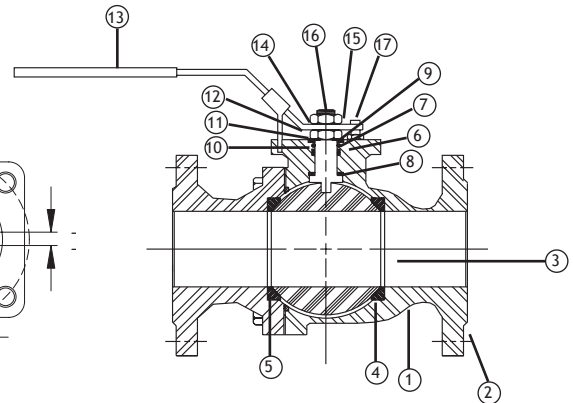
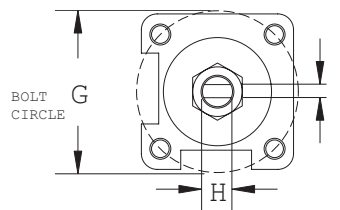
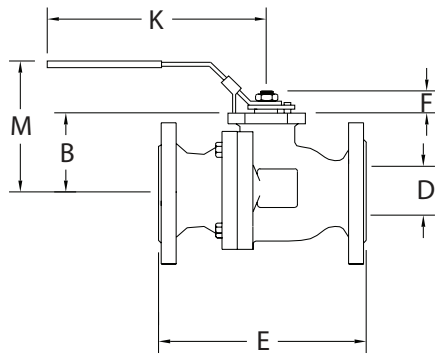
TEMPERATURE RATING
+450° F Maximum CWP
+366° F Steam Maximum

VALVE FEATURES

- Full port ball valves
- Class 150# flanged
- Designed to ANSI B16.34 standards
- API607 Fire safe design
- ISO mounting pad
- Vacuum to 29 inHg
- Silicone free

BILL OF MATERIALS

PART #	NAME	MATERIAL	QTY
1	BODY	ASTM A351 GR CF8M (ED50)	1
		WCB (W50)	
2	ENDS	ASTM A351 GR CF8M (ED50)	2
		WCB (W50)	
3	BALL	ASTM A351 GR CF8M	1
4	SEAT	PTFE	2
5	BODY SEAL	SS304 SPIRAL WOUND	2
6	STEM SEAL	GRAPHOIL	1
7	STEM PACKING	GRAPHOIL	1
8	THRUST WASHER	50% PTFE + 50% SS POWDER	1
9	GLAND	304SS	1
10	BELLEVILLE WASHER	304SS	2
11	LOCK WASHER	304SS	1
12	STEM NUT	304SS	1
13	HANDLE	304SS	1



DIMENSIONAL DATA

SIZE	ISO 5211	B	D	E	F	G	H	I	K	M	CV	WEIGHT (LBS.)
1/2"	F04	1.51	0.59	4.25	0.730	1.42	0.472	0.248	5.90	3.53	15	4
3/4"	F04	1.63	0.78	4.62	0.750	1.42	0.472	0.248	5.90	3.88	40	6
1"	F05	1.96	0.98	5.00	0.937	1.97	0.511	0.315	7.08	4.25	70	8
1-1/4"	F05	1.97	1.25	5.50	0.875	1.97	0.511	0.315	7.08	4.62	130	12
1-1/2"	F07	2.61	1.57	6.50	1.165	2.76	0.525	0.374	8.26	5.00	240	16
2"	F07	2.95	1.96	7.00	1.165	2.76	0.525	0.374	8.26	6.00	400	21
2-1/2"	F07	3.52	2.55	7.50	1.690	2.76	1.140	0.669	10.23	7.00	700	38
3"	F10	4.23	3.14	8.00	1.915	4.02	1.140	0.669	10.23	7.50	980	46
4"	F10	4.84	3.93	9.00	1.910	4.02	1.140	0.669	12.20	9.00	1700	73
6"	F10-12	8.86	5.93	15.50	2.39	4.92/4.02	1.06		23.43	11.26	4700	161

* Available in ED50 only