

RECESSED SERIES

For Strahman Water Mixing Hose Stations

For when you want to conceal the mixing unit piping.

The Recessed Box Series is designed to conceal mixing unit piping from being exposed to dust and other environmental hazards and is ideal for new construction. Made of high quality heavy gauge stainless steel.

Recessed Series is for the Bronze or Stainless Steel mixing hose stations:

- M-5000TG
- M-5700TG
- M-5144TGHE
- M-750TG
- M-750
- M-159TG
- M-200TS

Recessed Wall Box Units – globe and angle valve entry

Mixing units, hoses and nozzles are sold separately.



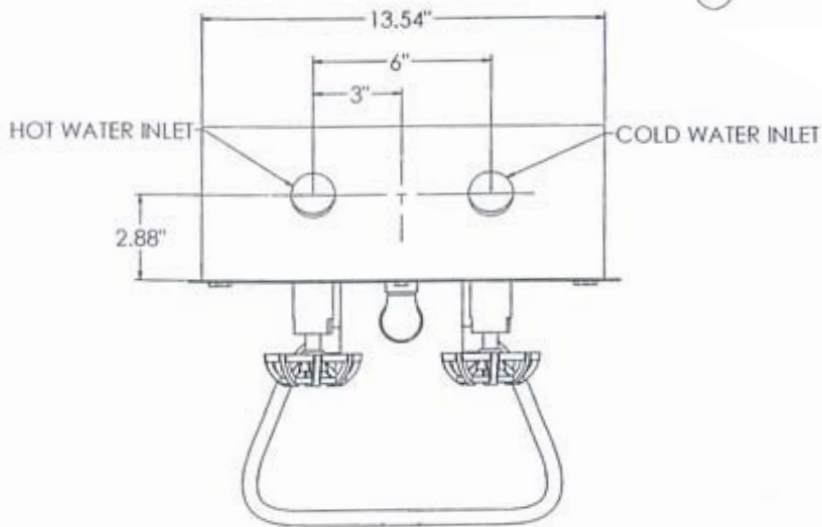
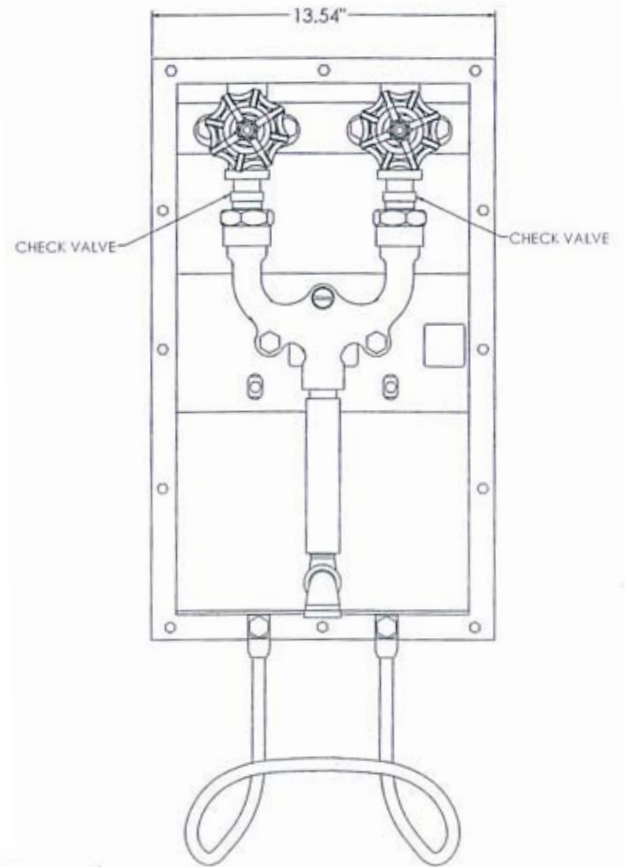
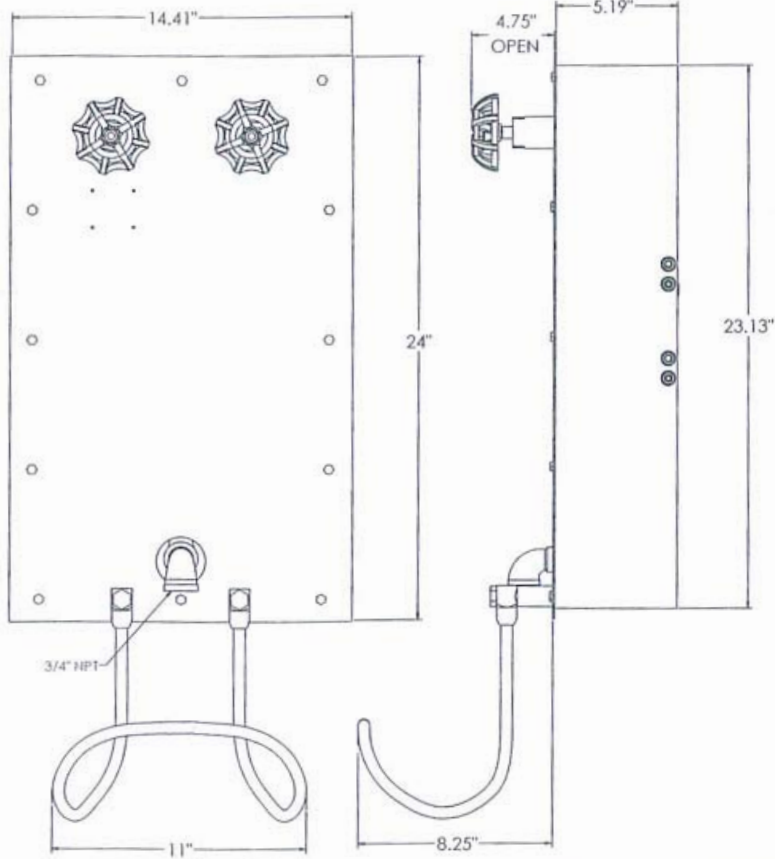
Shown with an M-159 Mixing Hose Station



Shown with an M-5000TG Mixing Hose Station

RECESSED SERIES

For Strahman Water Mixing Hose Stations



Published 03.28.23

StrahmanGroup.com



**STRAHMAN
GROUP**

PRECISION AND PERFORMANCE

WORLD HEADQUARTERS
2801 Baglyos Circle, Bethlehem, PA 18020
p: +1 877 787 2462 | +1 484 893 5080
e: strahman@strahman.com

USA | FRANCE | GERMANY | HONG KONG | CHINA