

# M-200TS

## Thermostatically Controlled Mixing Hose Station in Recessed Box

Strahman's recessed mixing units are designed to conceal mixing unit piping in a stainless steel box for recessed wall mounting. All exposed parts are stainless steel. These units are ideal for new construction or other places where concealed piping and good looks are desirable.

The **Model M-200TS** features rugged construction and superb quality for superior thermostatic control.

The unit's accurate, solid, liquid-filled thermostat allows you to set the exact output of water temperature desired from cold to 160°F. Featuring durable bronze body construction with replaceable corrosion-resistant components, the **M-200TS** valve maximizes cleaning effectiveness for any application.

### MIXING UNIT FEATURES

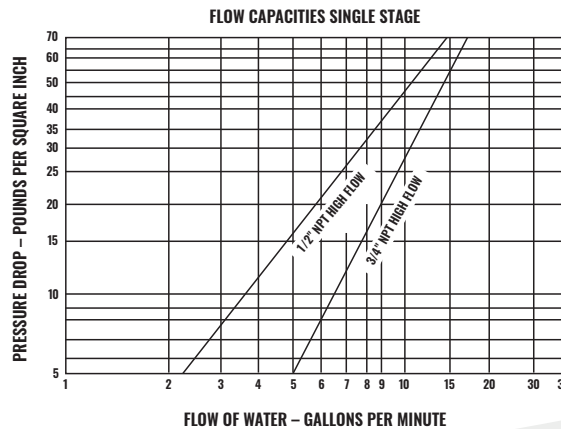
The standard unit is constructed of bronze and stainless steel. A bronze/chrome-plated unit is also available upon request. The Piston Assembly (the only moving part of the valve) consists of the piston, liner, and springs, which are all constructed of stainless steel for friction-free durability. All assembly units, including the piston and liner, are easily removed for cleaning and inspection. Other noteworthy features include:

- Precise temperature control from 80°F (27°C) to 160°F (71°C)
- Maximum water temperature 160°F (71°C)
- Adjustable temperature limit stop for maximum safety; Complete anti-scald and chill protection
- Senses and compensates for temperature or pressure fluctuations (up to a 50% drop in inlet supply pressure)
- Maintains temperature to  $\pm 3^\circ\text{F}$
- Color-coded temperature dial maximum working pressure to 125 psi (water supply pressures must be within a 20 psi differential)
- Replaceable components facilitate servicing
- Inlet piping:  $\frac{3}{4}$ " ball valves on 6" centers

### THERMOSTAT FEATURES

The Thermostatic Actuator is linear in its expansion and exerts the highest possible operating force directly on the valve piston. It is susceptible to the slightest variation in temperature or pressure of the supply lines. It is highly resistant to corrosion for long, dependable life. Other noteworthy features include:

- Senses slight pressure fluctuations
- It is a hydraulically formed, liquid-filled bellows
- It is linear in its expansion and exerts the highest possible operating force directly on the valve piston
- Must have a minimum of 15°F differential between hot and cold inlet and outlet set temperature



Maximum water temperature:  
160°F (71°C)

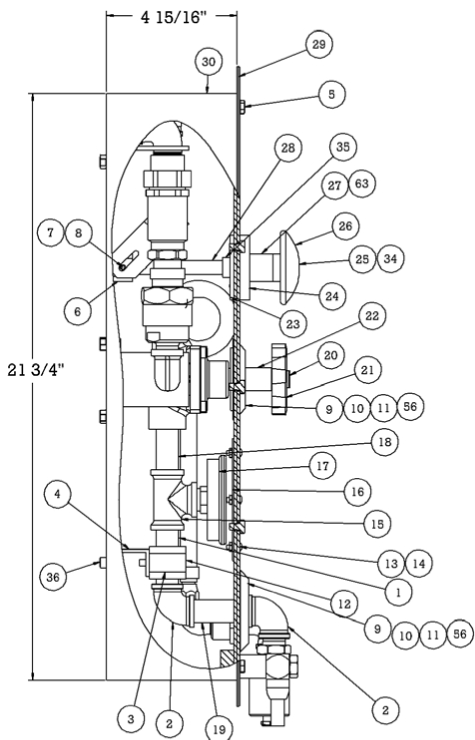
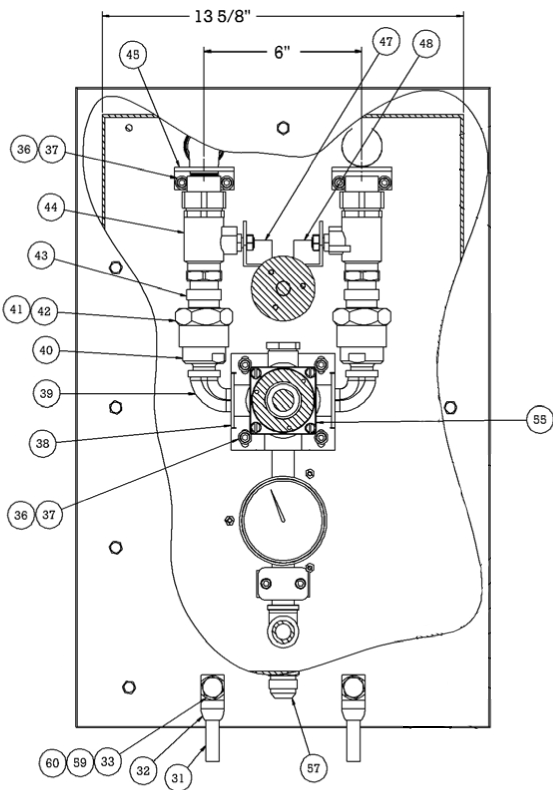
Maximum working pressure:  
125 psi

Minimum working pressure:  
10 psi hot/10 psi cold (balanced pressure)



# M-200TS

## Thermostatically Controlled Mixing Hose Station in Recessed Box



### PARTS

PART NO.	PRODUCT ORDER NO.	DESCRIPTION	MATERIAL	QTY
44	BV0075BBLUE	BALL VALVE	SST	2
43	BCBRG	BALL CHECK VALVE	CHROME-PLATED BRASS W/ SST INTERIOR	2
41	BCNUTBR	BALL CHECK UNION NUT	CHROME-PLATED BRASS	2
42	BCGAC	BALL CHECK GASKET	COPPER PTFE	2
40	M200BCADAPB	BALL CHECK VALVE ADAPTER	CHROME-PLATED BRASS	2
55	M200CV0050BR	THERMO CONTROL VALVE	CHROME-PLATED BRONZE W/ SST INTERIOR	1
21	M200KNOBASSY	CONTROL KNOB ASSEMBLY	NYLON	1
39	ELBW0050MFB	STREET ELBOW	SST	2
33	UBN1032	U-BOLT	SST	1
14	LNUT1032SERMC	#10 NUT	SST	2
13	NIPPO050S400350BN	NIPPLE	CHROME-PLATED BRASS OR SST	1
17	DMTG	TEMPERATURE GAUGE	SST	1
15	TEE0050B	TEE	CHROME-PLATED BRASS OR SST	1

### OTHER PARTS

PART NO.	DESCRIPTION	PART NO.	DESCRIPTION	PART NO.	DESCRIPTION
1	1/2" NIPPLE 3 BRASS	19	1/2 x 3" LONG NIPPLE SST	35	BUMPER
2	1/2" ELBOW BRASS	20	3/16-24 x 2" FLAT HEAD SST	36	1/4-20 x 1/2 SHCS SST
3	1/2" PIPE SUPPORT	22	CONTROL EXTENSION	37	1/4 WASHER
4	PIPE SUPPORT SPACER	23	STEM SLEEVE RETAINER	38	VALVE BRACKET
5	1/4-20 x 3/8 BOLT SST	24	10-32 x 3/4 FLAT HEAD	45	BRACKET
6	STEM NUCKEL	25	1/4-20 x 3/4 FLAT HEAD	47	LINKAGE ARM LEFT
7	CLEVIS PIN	26	PALM KNOB	48	LINKAGE ARM RIGHT
8	NO. 10 WASHERS	27	STEM SLEEVE	56	3/8 HOSE BARB
9	ESCUTCHON PLATE	28	STEM ROD	57	UNIT END ADAPTER
10	8-32 x 3/16 PAN HD SCR	29	COVER	58	COTTER PIN
11	CLIP	30	BOX	59	HOSE RACK SPACER
12	1/4-20 x 1 1/4 LONG SHCS	31	HOSE RACK	60	1/2 STAR WASHER
16	LENZ	32	HOSE RACK CONNECTOR	63	BRONZE BEARING
18	1/2 x 2 1/2" NIPPLE BRASS	34	FINISH WASHER		

Published 09.28.22

[StrahmanGroup.com](http://StrahmanGroup.com)



PRECISION AND PERFORMANCE

WORLD HEADQUARTERS  
2801 Baglyos Circle, Bethlehem, PA 18020  
p: +1 877 787 2462 | +1 484 893 5080  
e: [strahman@strahman.com](mailto:strahman@strahman.com)

USA | FRANCE | GERMANY | HONG KONG | CHINA