

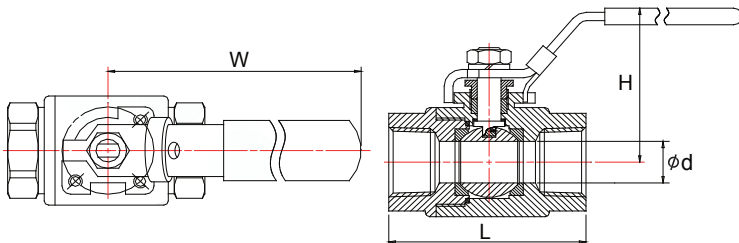
# HIGH PRESSURE FIRE SAFE BALL VALVE



**PRESSURE RATING**  
6,000 PSI (Class 2500)  
**TEMPERATURE RATING**  
+176° F Maximum Delrin  
+464° F Maximum PEEK

### VALVE FEATURES

- Full port all stainless ball valve or optional WCB/SS
- ISO 5211 mounting pad for direct mount actuation
- API 607 Fire-Safe approved
- 1/4" through 2" sizes
- Self-adjusting stem packing
- Blowout-proof stem
- NPT end connections
- Female pipe threaded to NPT, DIN 259/2999, BS21 standards
- Inspection and testing to current API 598 standards



### DIMENSIONAL DATA (FULL PORT)

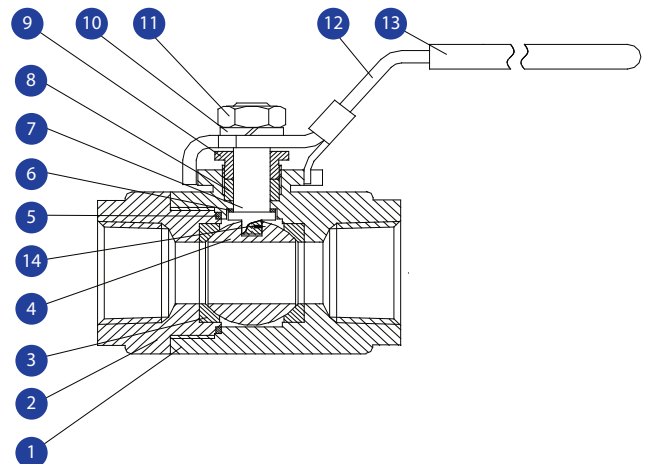
SIZE	ISO 5211	D	L	W	H
1/4"	F03	0.45	3.00	5.00	2.36
3/8"	F03	0.50	3.00	5.00	2.36
1/2"	F03	0.50	4.00	5.00	2.36
3/4"	F04	0.75	4.25	5.83	2.68
1"	F05	1.00	4.50	7.00	3.15
1-1/4"	F07	1.26	4.88	9.92	4.49
1-1/2"	F07	1.50	5.24	9.92	4.88
2"	F07	2.00	6.26	9.92	5.24

ALL HPS SERIES BALL VALVES ARE AVAILABLE AS PART OF OUR FUSIBLE LINK AUTOMATIC SHUT-OFF PACKAGES. FOR MORE INFORMATION, CONTACT OUR SALES STAFF.



### BILL OF MATERIALS

PART #	NAME	MATERIAL (STANDARD)	MATERIAL (OPTIONAL)	QTY
1	BODY	CF8M	WCB	1
2	END CAP	CF8M	WCB	1
3	SEAT	DELRIN®	PEEK™	2
4	BALL	CF8M	--	1
5	BODY SEAL	GRAPHITE	--	2
6	THRUST WASHER	PTFE & GRAPHITE	--	1
7	STEM	316 SS	--	1
8	STEM PACKING	GRAPHITE	--	1
9	GLAND NUT	304 SS	--	1
10	SPRING WASHER	304 SS	--	1
11	NUT	304 SS	--	1
12	HANDLE	304 SS	--	1
13	HANDLE SLEEVE	VINYL	--	1
14	ANTI-STATIC DEVICE	304 SS	--	1



### VALVE SEAT RATING

