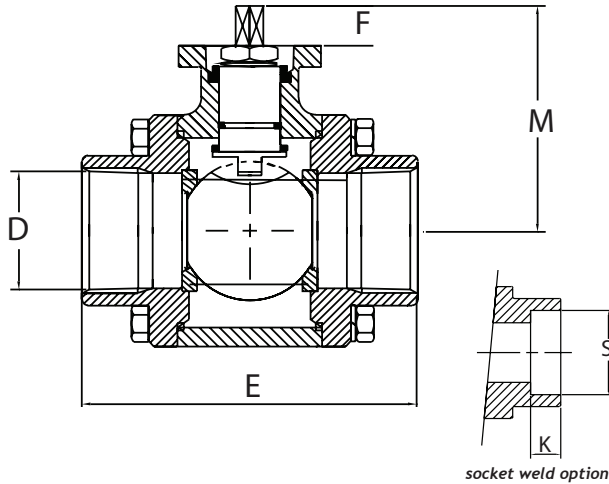


FS-3P (SS) & FW-3P (CS) SERIES 3-PC FIRE SAFE BALL VALVES

BILL OF MATERIALS

PART #	NAME	MATERIAL	QTY
1	BODY	WCB or CF8M	1
2	END CAP	WCB OR CF8M	2
3	BALL	CF8M	1
4	SEAT	RTFE	2
5	BODY SEAL	GRAPHITE	2
6	THRUST WASHER	GRAPHITE	1
7	STEM PACKING	GRAPHITE	1
8	GLAND	304SS	1
9	BELLEVILLE SPRING WASHER	301SS	2
10	STEM	316SS	1
11	NUT	304 SS	1
12	SPRING WASHER	304 SS	1
13	NUT	304 SS	1
14	BOLT	304 SS	4*
15	HANDLE	304 SS	1
16	HANDLE SLEEVE	VINYL	1
17	SADDLE WASHER	304 SS	1
18	O-RING	VITON	1
19	STOP PIN	304 SS	1
20	ANTI-STATIC DEVICE	304 SS	1

* QTY 8 on 2" valve size



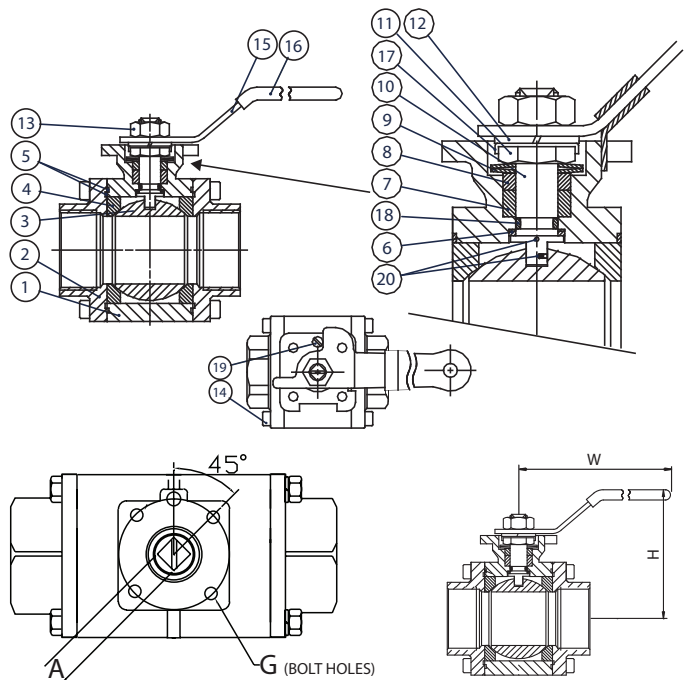
VALVE FEATURES

- Full port 3-pc SS(FS) or WCB(FW) valve
- 1/4" through 2" size range
- NPT or socket weld ends
- RTFE® seats with graphoil seals
- Enclosed body bolts for extreme service
- ISO mounting pad
- API 607 4th editon fire safe

PRESSURE RATING
2000 PSI CWP

TEMPERATURE RATING
+350° F Maximum
-4° F Minimum

NOTE: MAXIMUM TEMPERATURE RATING FOR STANDARD ACTUATORS IS 150° F (ELECTRIC) AND 180° (PNEUMATIC). SPECIAL SEALS OR HEAT EXTENSIONS ARE AVAILABLE FOR HIGH TEMPERATURE SERVICE.



DIMENSIONAL DATA

SIZE	ISO 5211	A	D	E	F	G	H	K	M	S	W	CV	WT.
1/4"	F04	0.35	0.45	2.56	0.27	0.28	2.75	0.39	1.96	0.56	5.51	6.30	2.42
3/8"	F04	0.35	0.50	2.56	0.27	0.28	2.75	0.39	1.96	0.70	5.51	6.20	2.42
1/2"	F04	0.35	0.59	2.95	0.27	0.28	2.75	0.51	1.96	0.87	5.51	20.90	2.42
3/4"	F04-F05	0.43	0.79	3.15	0.31	0.28/0.35	3.54	0.59	2.2	1.08	7.08	49.40	3.55
1"	F04-F05	0.43	0.98	3.54	0.43	0.28/0.35	3.93	0.59	2.52	1.35	7.08	81.00	4.85
1-1/4"	F07	0.55	1.26	4.33	0.43	0.45	4.40	0.59	2.79	1.69	8.46	127.9	7.36
1-1/2"	F07	0.55	1.50	4.72	0.55	0.45	4.52	0.63	3.23	1.93	8.46	191.50	10.13
2"	F07	0.55	1.97	5.51	0.55	0.45	5.23	0.67	3.03	2.42	8.46	376	16.10

ALL VALVES ARE 100% ELECTRONICALLY TESTED AT 80 PSI IN BOTH THE OPEN AND CLOSED POSITIONS