

BI-TORQ[®]

VALVE AUTOMATION



AUTOMATED BUTTERFLY VALVES



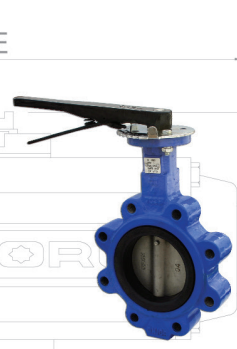
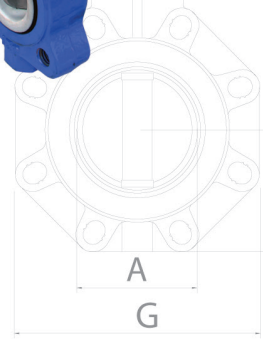
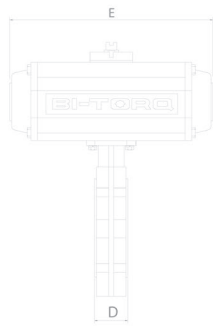
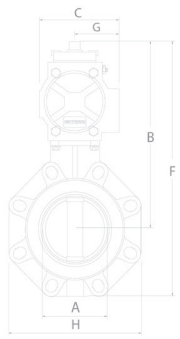
**CAST IRON
BFVS**

**WITH STANDARD
STAINLESS STEEL
DISC AND STEM**

**PNEUMATIC
ACTUATORS**



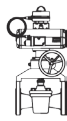
**ELECTRIC
ACTUATORS**



**MANUAL AND
GEAR OPERATORS**

**PVC, CPVC &
POLYPROPYLENE**



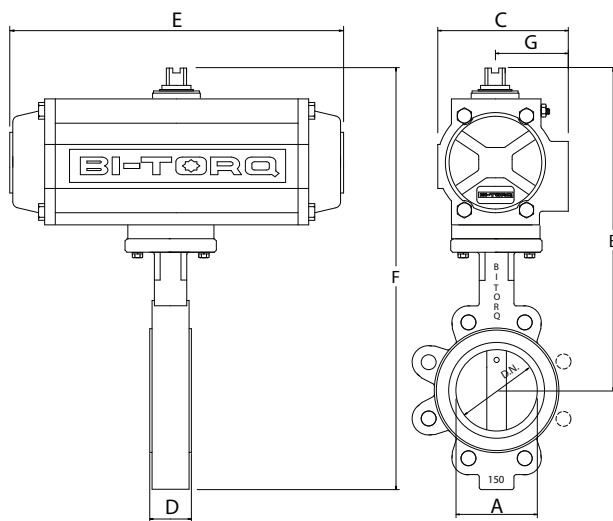


AUTOMATED CAST IRON BUTTERFLY VALVES



- Wafer and lug style cast iron BFVS 2" through 12" sizes
- SS stem and disc as standard
- EPDM, BUNA-N, VITON[®] or PTFE[®] seats
- Direct mount for low profile, cost-efficient operation
- Pneumatic, electric and gear operators

PNEUMATIC ACTUATORS



ALL STANDARD PNEUMATIC ACTUATORS SIZED FOR 80 PSI SUPPLY; PLEASE CONSULT OUR SALES STAFF FOR OTHER COMBINATIONS.

DOUBLE ACTING

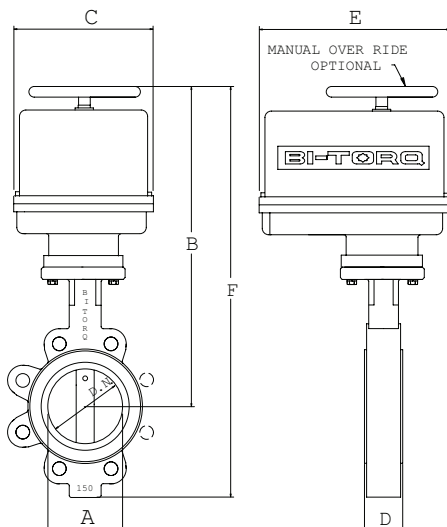
A	B	C	D	E	F	G	ACTUATOR
2"	10.30	3.17	1.69	6.38	13.45	1.77	PN-63DA
2-1/2"	10.85	3.17	1.81	6.38	14.38	1.77	PN-63DA
3"	11.09	3.17	1.81	6.38	14.83	1.77	PN-63DA
4"	11.83	3.17	2.05	6.38	16.32	1.77	PN-63DA
5"	13.45	4.17	2.20	9.35	18.45	2.30	PN-85DA
6"	13.96	4.17	2.20	9.35	19.43	2.30	PN-85DA
8"	15.81	4.84	2.36	10.69	22.70	2.68	PN-100DA
10"	18.72	5.83	2.68	14.41	26.71	3.15	PN-125DA
12"	23.21	8.58	3.07	20.55	31.38	3.94	PN-161DA

SPRING RETURN

A	B	C	D	E	F	G	ACTUATOR
2"	10.95	3.72	1.69	8.15	14.10	2.07	PN-75SR
2-1/2"	11.50	3.72	1.81	8.15	14.10	2.07	PN-75SR
3"	12.19	4.17	1.81	9.35	15.93	2.30	PN-85SR
4"	13.44	4.84	2.05	10.69	17.93	2.68	PN-100SR
5"	13.96	4.84	2.20	10.69	18.96	2.68	PN-100SR
6"	16.03	5.83	2.20	14.41	21.50	3.15	PN-125SR
8"	17.46	5.83	2.36	13.38	23.88	3.15	PN-125SR
10"	20.08	7.36	2.68	20.55	28.07	3.94	PN-161SR
12"	25.87	8.58	3.07	22.64	33.39	4.29	PN-201SR*

*INCLUDES CARBON STEEL MOUNTING KIT

ELECTRIC ACTUATORS



A	B	C	D	E	F	ACTUATOR
2"	12.22	4.25	1.69	6.88	15.37	BI-200-A-4-P1
2-1/2"	12.77	4.25	1.81	6.88	16.27	BI-200-A-4-P1
3"	13.00	4.25	1.81	6.88	16.74	BI-300-A-4-P1
4"	15.05	7.00	2.05	7.00	18.24	BI-400-A-4-P1
5"	16.39	7.00	2.20	7.00	21.39	BI-1000-A-4-P1*
6"	16.90	7.00	2.20	7.00	22.37	BI-1000-A-4-P1*
8"	18.24	7.00	2.36	7.00	25.13	BI-1500-A-4-P1*
10"	23.13	10.00	2.68	10.00	31.12	BI-3800-A-4-P1**
12"	24.90	10.00	3.07	10.00	34.43	BI-3800-A-4-P1**

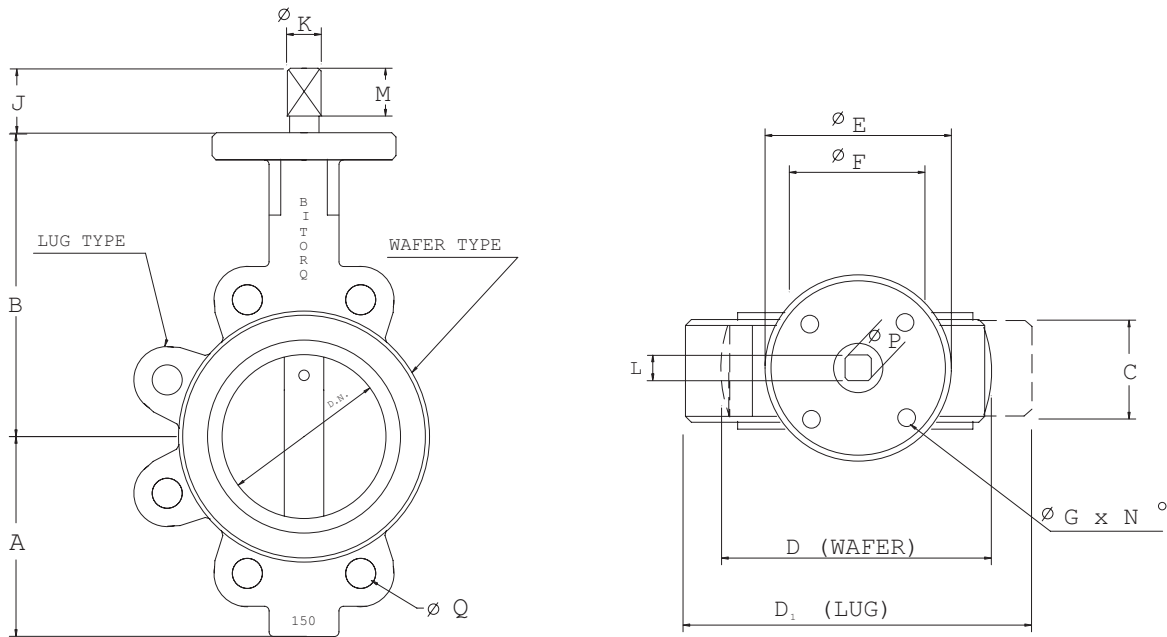
ALL ELECTRIC ACTUATOR DIMENSIONS ARE FOR NEMA 4 ENCLOSURES. FOR NEMA 7 ENCLOSURE DIMENSIONS, PLEASE CONSULT OUR SALES STAFF.

*INCLUDES DECLUTCHABLE MANUAL OVERRIDE

**INCLUDES DECLUTCHABLE MANUAL OVERRIDE AND MOUNTING KIT



AUTOMATED CAST IRON BUTTERFLY VALVES

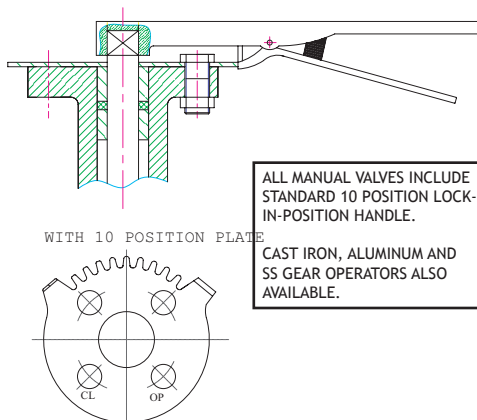


DIMENSIONS

SIZE	ISO	A	B	C	D (WAFFER)	D (LUG)	EØ	FØ	G x No.	J	KØ	L	M	Q (LUG ONLY)	WEIGHT (LBS.) LUG	WEIGHT (LBS.) WAFFER
2"	F07	3.15	6.34	1.69	4.02	5.98	3.54	2.76	0.354 x 4	1.023	0.551	0.433	0.669	4 x 5/8-11	8.4	5.5
2-1/2"	F07	3.50	6.89	1.81	4.76	6.74	3.54	2.76	0.354 x 4	1.023	0.551	0.433	0.669	4 x 5/8-11	9.2	7.0
3"	F07	3.74	7.13	1.81	5.47	7.87	3.54	2.76	0.354 x 4	1.023	0.551	0.433	0.669	4 x 5/8-11	10.3	7.9
4"	F07	4.49	7.87	2.05	6.30	9.02	3.54	2.76	0.354 x 4	1.181	0.709	0.551	0.826	8 x 5/8-11	15.8	10.8
5"	F07	5.00	8.39	2.20	7.48	10.00	3.54	2.76	0.354 x 4	1.181	0.709	0.551	0.826	8 x 3/4-10	21	15.4
6"	F07	5.47	8.90	2.20	8.46	11.02	3.54	2.76	0.354 x 4	1.299	0.866	0.669	0.945	8 x 3/4-10	23	17.2
8"	F07	6.89	10.24	2.36	10.59	13.50	3.54	2.76	0.472 x 4	1.299	0.866	0.669	0.945	8 x 3/4-10	40	29
10"	F10	7.99	11.50	2.68	13.11	15.98	4.92	4.02	0.472 x 4	1.850	1.102	0.866	0.945	12 x 7/8-9	59	42.2
12"	F10	9.53	13.27	3.07	15.08	19.02	4.92	4.02	0.472 x 4	1.850	1.102	0.866	0.945	12 x 7/8-9	88	71.5

OPTIONAL BUTTERFLY VALVES AVAILABLE THROUGH 24". HIGH PERFORMANCE, ALL STAINLESS AND SANITARY VALVES ALSO AVAILABLE.

10 POSITION HANDLE



BILL OF MATERIALS

DESCRIPTION	QTY	MATERIAL
BODY	1	CAST IRON
BOTTOM BUSHING	1	BRONZE
SHAFT	1	316 SS
SEAT	1	EPDM, BUNA, VITON, PTFE
DISC	1	316 SS
TAPER PINS	1-2	316 SS
NAME PLATE	1	316 SS
RIVETS	2	316 SS
TOP BUSHING	1	BRONZE
O-RING	1	EPDM

SPECIFICATIONS

- DESIGNED TO MSS-SP67, API609 STANDARDS
- FLANGE ENDS DESIGNED TO ANSI B16.1, BS4504, DIN 2501
- WORKING PRESSURE:
225 PSI TO 8"
150 PSI 10"-12"
- SHELL TEST:
350 PSI
- SEAL TEST:
250 PSI
- WORKING TEMPERATURE:
EPDM: -30°F TO +275°F
BUNA-N: +10°F TO +180°F
VITON®: 0°F TO 350°F
PTFE: -20°F TO +250°F