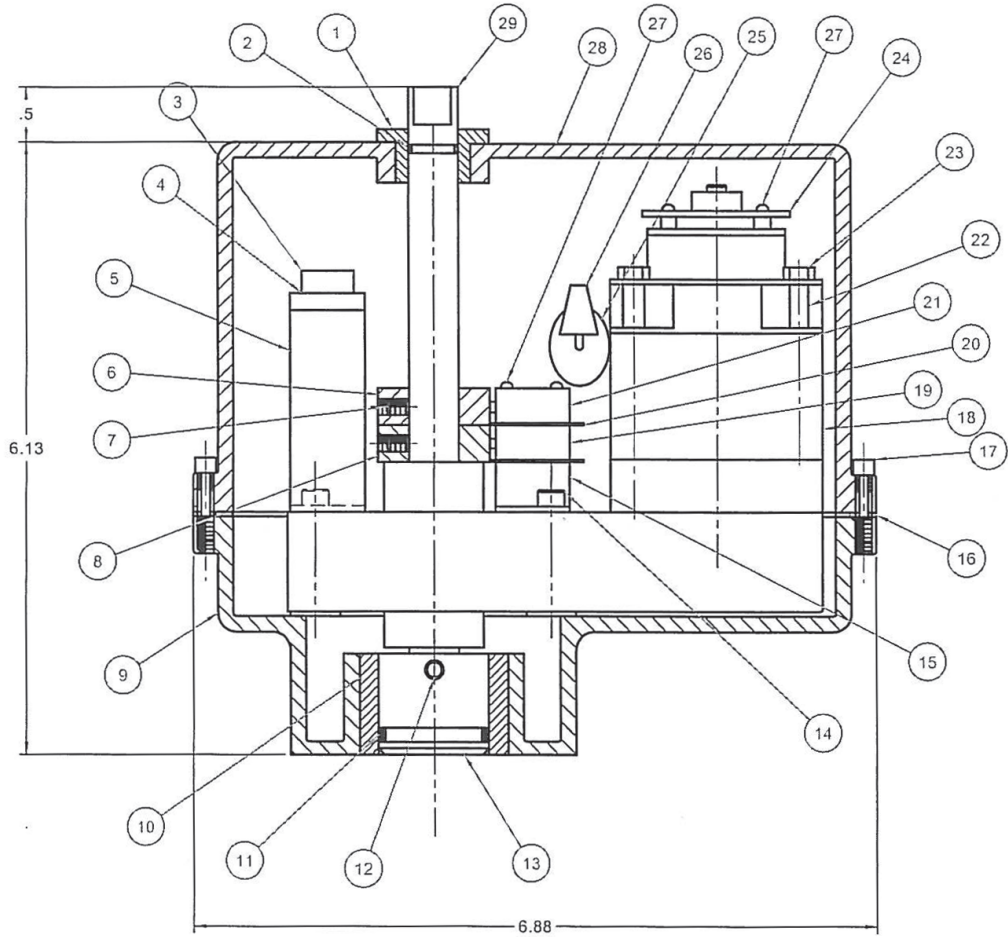


BI-200/300 EXPLODED VIEW



NO.	DESCRIPTION	MTL.	QUANT.	PART NO.
1	BEARING	BRZ.	1	35012
2	O-RING	BUNA-N	1	10000
3	TERMINAL BLOCK		1	29010
4	SCREWS	S.S.	2	47001A
5	BRACKET	STL.	1	39000
6	CAM, OPEN LIMIT	ZYTEL	1	38004ZY
7	SET SCREW	S.S.	2	47015
8	CAM, CLOSE LIMIT	ZYTEL	1	38004ZB
9	BASE	AL.	1	7009
10	BEARING	BRZ.	1	35009
11	O-RING	BUNA-N	1	10004
12	ROLL PIN	STL.	1	43000
13	STAR DRIVE	S.S.	1	4044PM
14	SCREW	S.S.	4	47024
15	BRACKET	STL.	1	39001
16	GASKET	BUNA-N	1	3009
17	COVER SCREW	S.S.	4	47021
18	GEARMOTOR		1	21019
19	SWITCH, CLOSE LIMIT		1	24000-C
20	INSULATOR	F.P.	2	24000FP
21	SWITCH, OPEN LIMIT		1	24000-O
22	SPACER	AL.	4	18010
23	SCREW	S.S.	4	47012A
24	BRAKE		1	45000
25	CAPACITOR		1	30003
26	WIRE NUT		2	46000
27	SCREW	S.S.	5	47000
28	COVER	AL.	1	2000SD
29	SHAFT	416SS	1	4082